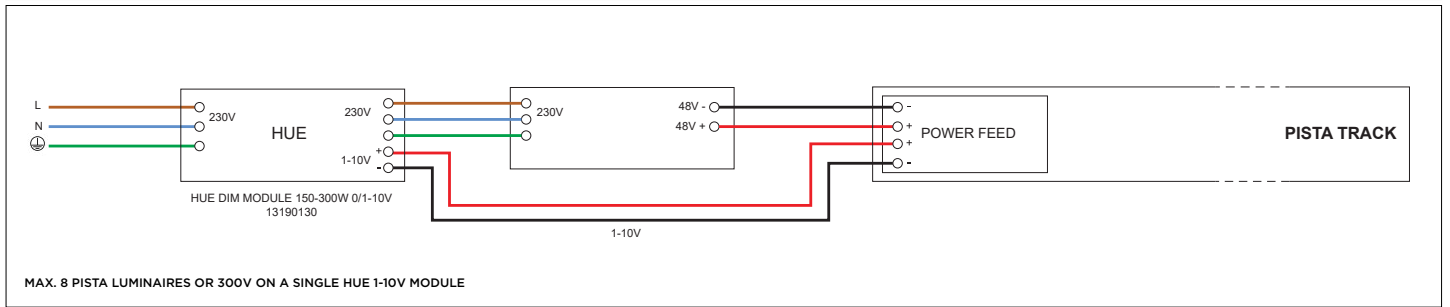
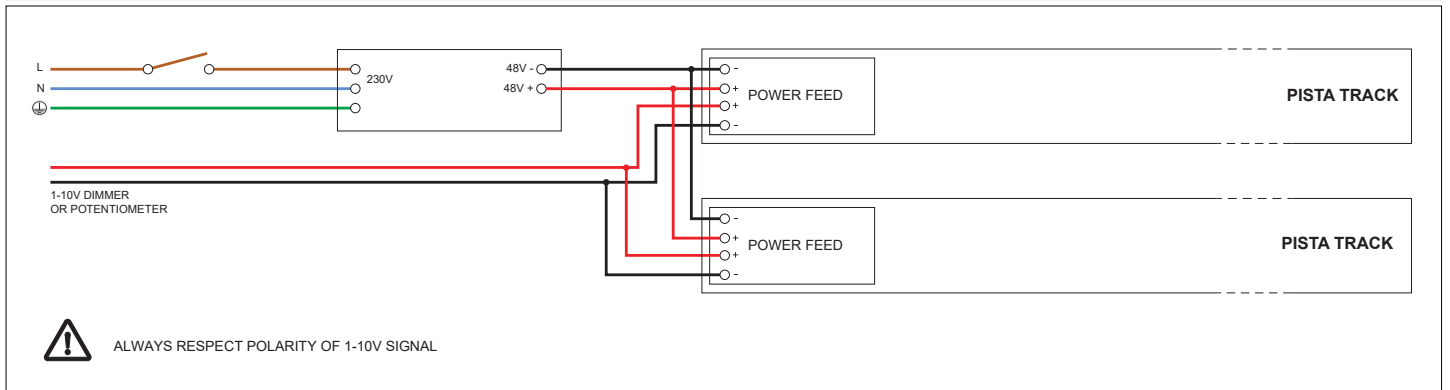


# WIRING DIAGRAMS

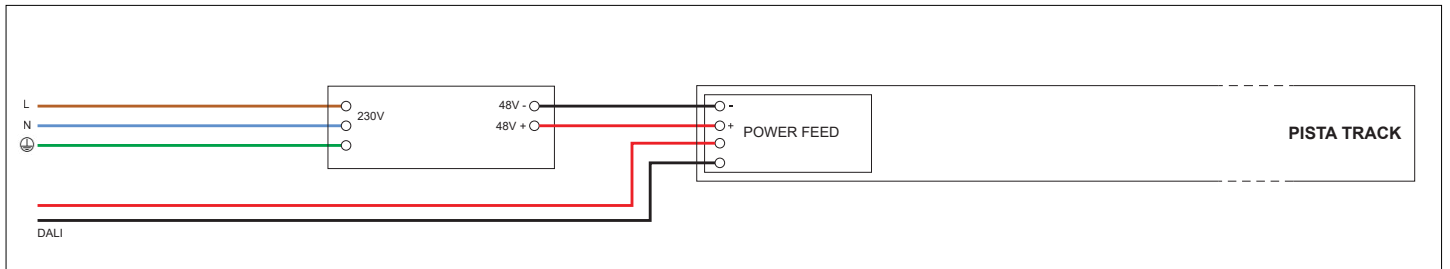
## HUE 1-10V



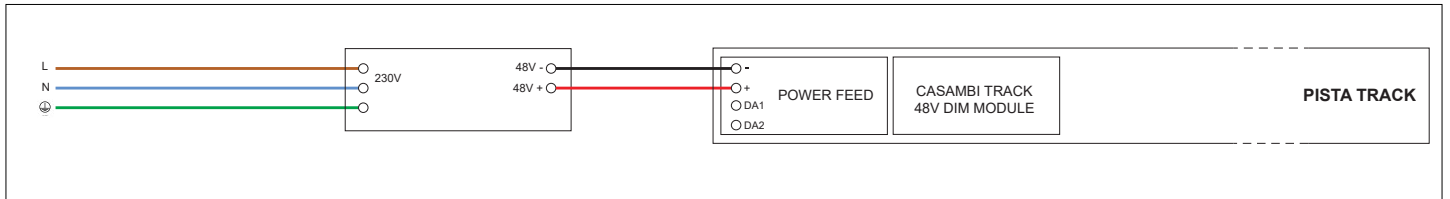
## 1-10V



## DALI



## CASAMBI TRACK 48V DIM MODULE



## CASAMBI TRACK 48V REMOTE DIM MODULE

